

Form 8654
(520)
Printed in U.S.A.

LIST OF PARTS



SINGER** MACHINES

Nos. 114-3 and 114-4

THE SINGER MANUFACTURING COMPANY

**A Trade Mark of THE SINGER MANUFACTURING COMPANY

From the library of: Diamond Needle Corp

INSTRUCTIONS FOR OILING

To ensure easy running and prevent unnecessary wear of the parts which are in movable contact, the machine requires oiling and when in continuous use, "TYPE B" or "TYPE D" OIL, sold by Singer Sewing Machine Company, should be applied at least twice each day to all oil holes marked "OIL".

"TYPE D" OIL should be used when an oil is desired which will produce a minimum of stain on fabrics, even after a long period of storage.

INDEX

	PAGE
ACCESSORIES.....	18
MACHINE No. 114-3.....	7
" " 114-4.....	18
NUMERICAL LIST OF PARTS.....	23
OBSOLETE PARTS.....	21
PROTECTOR.....	19
STARTING LEVER AND FOOT LIFTER PARTS.....	20
TABLE BELT GUIDE.....	20
THREAD UNWINDER.....	20

From the library of Diamond Needle Corp

INSTRUCTIONS FOR ORDERING

In ordering from this list, use **ONLY** the part NUMBER in the **FIRST** column.

The number stamped on a Sewing Machine part is in every case the number of the single part only.

Every combination of parts sent out as such has its specific number, which, although not stamped on the parts, must be used when ordering the combination.

Each number always indicates the **SAME PART** in whatever list it appears, or for whatever machine.

The letters after some of the numbers indicate the style of finish only, as follows:

- A. Hardened, Polished and Plated.
- B. Polished and Plated
- C. Hardened only.
- D. Polished only.
- E. Soft, not Polished.
- F. Hardened and Polished.
- G.
- H. Blued
- J. Plated only.
- K. Hardened and Plated.
- L. Brass or Gilt.
- M. Oxidized.
- P. Japanned.
- R. Parkerized.

These letters **MUST BE USED** when they appear in the list, and **AFTER** the number **as** in the list.

In this series

1 to 1500 and 50001 to 51500 are Screw Numbers.

1501 to 1800 are Nut Numbers.

1801 to 2000 are Roller Numbers.

2001 to 50000 and 52001 and upward are numbers of Machine Parts.

The figures in the second column refer only to the plates, illustrating the parts, and are **NOT TO BE USED** in ordering.

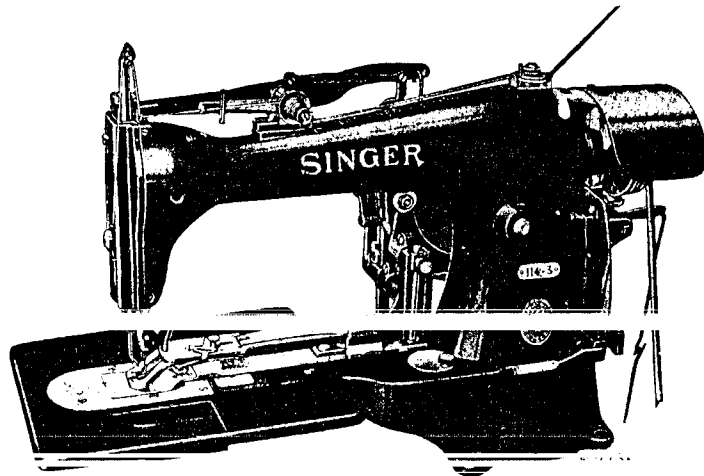
Parts marked with an asterisk (*) are furnished only when repairs are made at factory.

SINGER Needles should be used
in SINGER Machines
These Needles and their Containers
are marked with the
Company's Trade Mark **SINGER**. 1

Needles in Containers marked
"FOR SINGER MACHINES"
are **NOT SINGER** made needles. 2

LIST OF PARTS COMPLETE
FOR
MACHINE No. 114-3

**FOR SEWING TWO OR FOUR-HOLE BUTTONS ON SHIRTS, WAISTS
AND UNDERWEAR. SMALL BUTTONS ONLY. MAKES TWO
PARALLEL BARS IN FOUR-HOLE BUTTONS. MAKES FOURTEEN
STITCHES INCLUDING THE FASTENING STITCHES.**



MACHINE No. 114-3

NO.	PLATE	NAME
*59701	—	Arm with 4449, 59767 and two 164E.
16532	6976	" Dowel Pin.
4448	6976	" Oil Tube, for intermediate bearing. .
56015	6976	" " " " oiling 59705 and 59706.
880E	6998	" Screw.
59702	6975	" Shaft (horizontal).
17703	6981	" " " Bushing (back). .
50333c	6998	" " " " " Ad- justing Screw.
1029E	6991	" Shaft (horizontal) Bushing (back) Adjusting Screw Nut.
*4449	—	Arm Shaft (horizontal) Bushing (front) ..
59703	6976	" " " Gear with two 1036c.
1036C	6976	Arm Shaft (horizontal) Gear Body Screw ..
59704	6976	" " (upright).
59705	6976	" " " Bushing (lower). .
435c	7015	" " " " " Set Screw.
59706	6976	Arm Shaft (upright) Bushing (upper). .
448c	6992	" " " " " Set Screw.
59707	6976	Arm Shaft (upright) Gear (lower) with two 1253c.
1253c	6976	Arm Shaft (upright) Gear (lower) Set Screw.
59708	6976	Arm Shaft (upright) Gear (upper) with two 1253c.
1253c	6976	Arm Shaft (upright) Gear (upper) Set Screw.
18498	6975	Belt Cover.
59795	6977	" " Bracket with 184E and 59796.
184E	6998	" " " Screw Stud.
59796	6988	" " " Stud.

From the Library of Parliament

NO.	PLATE	NAME
217D	6998	Belt Cover Screw.....
39222	6977	" Shifter.....
39223	6976	" " Clamp.....
1255D	6976	" " " Screw.....
39238	3747	Button Clamp (left) with 9311 and 17723
39239	3747	" " (right) with 9311 and 17723.....
39240	3747	Button Clamp Arm with 17714 and 63788
17710	6978	" " " Hinge Plate.....
1176D	6978	" " " " " Screw....
63788	7015	" " " Hook.....
1175E	6978	" " Hinge Screw.....
59710	6979	" " Lifter.....
176D	7009	" " " Screw.....
39241	6978	" " Pressure Spring.....
17713	6978	" " " " Bracket
1177D	6978	" " " " " Screw.....
17714	6978	Button Clamp Pressure Spring Guide Block.....
1178D	6978	Button Clamp Pressure Spring Screw....
17717	6979	" " " Lever.....
50237F	6979	" " " " H i n g e Screw.....
1180D	6979	Button Clamp Spreader Lever Locking " " " Screw.....
17718	6979	Button Clamp Spreader Lever Locking Thumb Screw Washer.....
1182E	6978	Button Clamp Spreader Screw.....
39243	6978	" " " Spring.....
207F	6978	" " " " S c r e w
7071	6990	" " " " " Washer.....
17720	6979	Button Clamp Spreader Steady Pin.....
39244	3747	" " Spring (left) for flat buttons.....
39245	3747	Button Clamp Spring (right) for flat buttons.....
39246	6978	Button Clamp Spring (left) for stud back buttons.....
39247	6978	Button Clamp Spring (right) for stud back buttons.....
229D	6978	Button Clamp Spring Screw.....
9311	3747	" " " Steady Pin.....
39248	6979	" " Stop with two 17720.....
1183D	6979	" " " Screw.....

NO.	PLATE	NAME
17723	6979	Button Clamp Stud.....
39249	3751	Button Clamp (universal) complete, for 10 to 50 line thin buttons, Nos. 207F, 1180D, 1182E, 7071, 17717, 17718, 39238 to 39240, 39242, 39243, 39244 or 39246, 39245 or 39247, 39248, 50237F and two each 229D, 1175E and 1183D.....
*62180	—	Cloth Plate with 62181.....
*62181	—	" " Button Tray.....
62102	6980	" " Guide Block (left).....
742F	6980	" " " " " Screw....
1547D	6980	" " " " " " Nut
62103	6980	" " " " (right).....
3021	6980	" " " " Rivet....
190D	6990	" " Screw.....
62104	6980	" " Stop.....
26770	6980	" " " Rivet.....
62182	6975	Cloth Plate complete, Nos. 742F, 1547D, 26770, 62102 to 62104, 62180 and two 3021.....
*62177	—	Cylinder.....
62183	7014	" Bottom Cover.....
62108	6981	" End Cover.....
62184	—	" " " 62108 with 1034D, 62111 to 62113, 62183, 62185 and four 1477D.....
62185	6980	Cylinder End Cover Bracket.....
62111	6980	" " " " " ring.....
1477D	6980	" " " " " Screw.....
62112	6980	" " " Hinge.....
1477D	6980	" " " " " Screw.....
62113	6980	" " " Spring.....
1034D	6980	" " " " " Screw.....
62114	6980	" Top Cover.....
286D	6980	" " " Thumb Screw.....
59711	6981	Face Plate.....
59712	—	Face Plate complete, Nos. 208D, 9544, 9545, 59711 and two each 229D, 2107 and 9543.....
164D	6990	Face Plate Screw.....
2107	6980	" " Thread Guard.....
229D	6978	" " " " " Screw.....
9543	6980	" " " Nipper Disc.....
9544	6980	" " " " " C o v e r
208D	6980	" " " " " " Screw.....
9545	6980	Face Plate Thread Nipper Disc Spring...

NO.	PLATE	NAME
62115	6982	Feed Across Connection Adjusting Stud
1649c	6982	“ “ “ “ “
		Nut (left).....
1650c	6982	Feed Across Connection Adjusting Stud
		Nut (right).....
62116	6982	Feed Across Knuckle Joint.....
17728	6982	“ “ “ “ Connection
1184E	6982	“ “ “ “ “
		Hinge Screw.....
59713	6981	Feed Across Lever with 1185c and 50150c
17730	6982	“ “ “ Ball Stud.....
1185c	6982	“ “ “ “ “ Set Screw...
59714	—	Feed Across Lever complete, Nos. 59713, 59715 and 59721.....
59715	6983	Feed Across Lever Extension with 1952 and 51814.....
59716	6983	Feed Across Lever Extension Disengaging Eccentric.....
59717	6983	Feed Across Lever Extension Disengaging Eccentric Connection.....
999b	6983	Feed Across Lever Extension Disengaging
59718	6983	Feed Across Lever Extension Disengaging Eccentric Connection Spring.....
193b	6983	Feed Across Lever Extension Disengaging Eccentric Connection Spring Screw....
2273	6983	Feed Across Lever Extension Disengaging Eccentric Pin.....
59719	6983	Feed Across Lever Extension Disengaging Eccentric Shaft.....
59720	6983	Feed Across Lever Extension Disengaging Handle.....
2273	6983	Feed Across Lever Extension Disengaging Handle Pin.....
51814	6983	Feed Across Lever Extension Guiding Roller and Screw Stud.....
59721	6983	Feed Across Lever Extension Hinge Pin
50150c	6991	“ “ “ “ “ “
		Set Screw.....
62195	7014	Feed Across Lever Extension Position Arm
2022	6983	“ “ “ “ “ “
		Pin.....
59723	6983	Feed Across Lever Extension Position Arm Support.....

NO.	PLATE	NAME
1404D	6983	Feed Across Lever Extension Position Arm Support Screw.....
9525	6983	Feed Across Lever Extension Position Arm Support Screw Washer.....
1952	6983	Feed Across Lever Extension Roller and Stud.....
430c	6994	Feed Across Lever Extension Stop Screw
1520E	6994	“ “ “ “ “ “
		Nut.....
59724	6987	Feed Across Lever Hinge Stud.....
160D	6998	“ “ “ “ “ Clamping Screw.....
62118	6985	Feed Across Lever Plate with 17741.....
62119	6985	“ “ “ “ Cover.....
1094F	6985	“ “ “ “ Screw.....
55300	6985	“ “ “ “ Steady Pin.....
17733	6982	“ “ “ “ Socket Bearing.....
17734	6982	“ “ “ “ “ Block (two pieces).....
145F	6982	Feed Across Lever Socket Bearing Block Set Screw.....
		Set Screw Nut.....
62120	6984	Feed Across Regulator.....
1187E	6982	“ “ “ “ Adjusting Screw Stud.....
1873	6982	Feed Across Regulator Adjusting Screw Stud Nut.....
17738	6982	Feed Across Regulator Adjusting Screw Stud Nut Washer.....
17739	6982	Feed Across Regulator Adjusting Screw Stud Sleeve.....
1188D	6998	Feed Across Regulator Hinge Screw.....
62121	6985	“ “ “ “ Link.....
50324E	6985	“ “ “ “ “ Screw Stud
1655E	6985	“ “ “ “ “ “
		Nut.....
14017	6985	Feed Across Regulator Link Screw Stud Nut Washer.....
17741	6985	Feed Across Regulator Link Stud.....
62196	7013	“ Cam with two 1192c and three each 190b, 208b, 227b, 17874 and 62138....
18415	6987	Feed Cam Driving Worm with 1441c and 1442c.....
1442c	6987	Feed Cam Driving Worm Position Screw.
1441c	6987	“ “ “ “ “ Set Screw.....

NO.	PLATE	NAME
50372D	7015	Stop Cam Interlocking Rod Case Bracket Screw.....
1204E	6998	Stop Cam Interlocking Rod Case Hinge Screw.....
17859	6977	Stop Cam Interlocking Rod Case Socket Joint.....
898D	6998	Stop Cam Interlocking Rod Case Socket Joint Cap Screw.....
39343	6981	Stop Cam Interlocking Rod Case Spring (flat).....
430c	6994	Stop Cam Interlocking Rod Case Spring Adjusting Screw.....
1520E	6994	Stop Cam Interlocking Rod Case Spring Adjusting Screw Nut.....
39344	6994	Stop Cam Interlocking Rod Case Spring Bracket with 430c and 1520E.....
1186F	6991	Stop Cam Interlocking Rod Case Spring Bracket Screw.....
17861	6994	Stop Cam Interlocking Rod Case Stop Stud.....
1254c	6998	Stop Cam Interlocking Rod Case Stop Stud.....
1508E	6999	Stop Cam Interlocking Rod Case Stop Stud Screw Bushing Lock Nut.....
17862	6994	Stop Cam Interlocking Rod Case Stop Stud Spring.....
59771	6994	Stop Cam Interlocking Rod Case Wearing Block.....
193F	6983	Stop Cam Interlocking Rod Case Wearing Block Screw.....
17863	6994	Stop Cam Interlocking Rod Spring.....
17864	6994	" " " " Stop.....
1318D	6994	" " " " " Screw..
3012	6988	" " Pin.....
1206c	6994	" " Screw.....
2102	6995	Tension Disc.....
1560c	6995	" Regulating Thumb Nut.....
50148c	6995	" Screw Stud.....
42336	6995	" Spring.....
13915	6995	" " Bushing.....
10145	6995	" Thread Guide.....
59772	6995	Thread Eyelet (head of arm).....
233D	6995	" " " " " Set Screw..
1743D	6979	" Nipper Adjusting Thumb Nut...
59773	6995	" " Body.....
624c	6991	" " " Set Screw.....
59774	6995	" " Cam with two 50150c....

NO.	PLATE	NAME
50150c	6991	Thread Nipper Cam Set Screw.....
2921	6995	" " Disc.....
12162	6995	" " " Guide Pin.....
62169	6979	" " " Spring.....
59775	6995	" " Eyelet.....
1527D	6995	" " Lock Nut.....
59776	6995	" " Stud with 13538.....
13538	6995	" " " Position Pin.....
13539	6995	" " " Roller.....
13540	6995	" " " " Pin.....
2026	6995	" " " Spring.....
59777	—	Thread Nipper Stud complete, Nos. 13539, 13540 and 59776.....
59778	—	Thread Nipper complete, Nos. 1527D, 1743D, 2026, 59773, 59775, 59777, 62169 and two 2921.....
62138	6987	Thread Pull-off Cam.....
208D	6980	" " " Screw (large).....
227D	7015	" " " " (small).....
59780	6996	" " Driving Lever.....
1196c	6998	" " " " Hinge Screw.....
59781	6996	Thread run-on Driving Lever Spring....
59782	6996	" " Lever.....
59783	6996	" " " Bushing.....
1445H	6996	" " " " Screw....
59784	6996	" " " Connection.....
50111D	6996	" " " " Hinge Screw (driving lever end).....
50111D	6996	Thread Pull-off Lever Connection Hinge Screw (lever end).....
59785	6996	Thread Pull-off Regulator.....
62170	—	" Take-up Body with 62172.....
42808	6979	" " Roller.....
62171	6979	" " " Cap.....
337D	6979	" " " " Screw.....
62172	6979	" " " Pin.....
62173	6979	Thread Take-up complete, Nos. 337D, 42808, 62170 and 62171.....
691F	6990	Thread Take-up Screw.....
39452	6979	" Wiper Body.....
39453	6979	" " " Finger.....
330D	6979	" " " " Screw.....
1207D	6979	" " " Hinge Screw.....
59787	6979	" " " Support.....
641D	6979	" " " " Set Screw..
39455	6979	" " " Wire.....

From the Library of Diamond Press Co.

NO.	PLATE	NAME
39456	6979	Thread Wiper Body Wire Clamp.....
1302D	6979	“ “ “ “ “ Screw..
62139	7016	Throat Plate.....
62199	7016	“ “ Needle Guard.....
206D	7016	“ “ “ “ Screw.....
691F	6990	“ “ Screw.....
17872	6994	Trip Lever.....
1196C	6998	“ “ Hinge Screw.....
17873	6994	“ “ Spring.....
1182E	6978	“ “ “ Screw.....
17874	6987	Tripping Point.....
190D	6990	“ “ “ Screw.....

MACHINE No. 114-4

FOR SEWING TWO OR FOUR-HOLE BUTTONS ON SHIRTS, WAISTS AND UNDERWEAR. SMALL BUTTONS ONLY. MAKES TWO PARALLEL BARS IN FOUR-HOLE BUTTONS. MAKES TWENTY-ONE STITCHES INCLUDING THE FASTENING STITCHES.

This machine is the same as No. 114-3 with the following exception:

NO.	PLATE	NAME
62200	7015	Feed Cam with two each 190D, 208D, 207D, 1102C, 17874 and 62128, in place of 62196.....

ACCESSORIES

NO.	PLATE	NAME
59797	7005	Button Tray with two wood screws 1¼ in. No. 14.....
18419	—	Cylinder Base Plate with two 453C.....
18420	7006	“ “ “ Hinge Connection.....
18423	7006	“ “ “ “ “ “ Hinge Pin.....
453C	6987	Cylinder Base Plate Hinge Connection Hinge Pin Set Screw.....
18424	7005	Cylinder Base Plate (hinged) complete, Nos. 18419, two each 18420, 18423, three wood screws 1¼ in. No. 12 and four 134D.....
134D	—	Cylinder Base Plate Screw.....

NO.	PLATE	NAME
35565	7007	Oiler (copper plated) with 36566.....
36566	7007	“ Spout, 9 in. long, with 120117.....
120117	7014	“ “ Washer (leather).....
11831	7007	Screw Driver (large).....
26026	7007	“ “ (small).....
4822	7007	Wrench for 1528 and 1547.....
10875	7007	“ “ 1518, 1520, 1649, 1650 and 1662.....
17905	7007	Wrench for 1176, 1178, 1654, 1655, 1676 and 1681.....
25200	7007	Wrench for 1527.....
27662	7007	“ “ 1254 and 1508.....

PROTECTOR

NO.	PLATE	NAME
39489	7008	Arm with 39490.....
160C	7009	“ Clamping Screw.....
39490	—	Blade.....
39491	7008	Bracket with two each 426C and 448C.....
426C	7009	“ Adjusting Screw.....
39492	7009	Crank with 160C.....
39493	7009	“ Bracket with 1120C and two 454C.....
454C	7009	“ “ Set Screw.....
52598	7009	“ Hinge Stud.....
1120C	7009	“ “ “ Set Screw.....
39494	7008	Rod.....
15261	7009	“ Collar with 237F.....
237F	7009	“ “ Set Screw.....
39495	7009	“ Connection.....
176D	7009	“ “ Screw.....
1099F	7009	“ Screw Stud.....
39496	7008	“ Sleeve.....
448C	7009	“ “ Set Screw.....
39497	7009	“ Spring.....
15261	7009	“ “ Collar with 237F.....
237F	7009	“ “ “ Set Screw.....
39498	—	Protector (front of needle) complete, Nos. 1099F, 39489, 39491 to 39497, 52598 and two each 176D, 15261 and 50351D.....

PLATE 2836—ONE-FOURTH SIZE

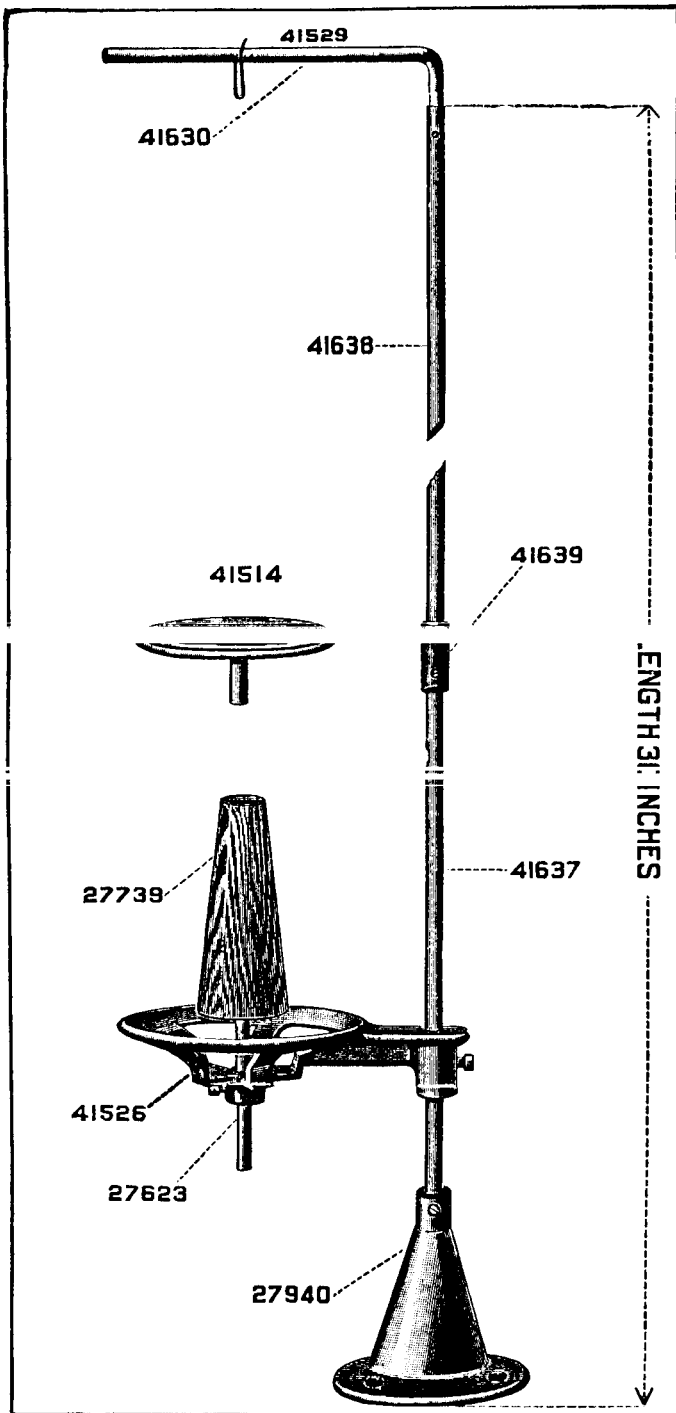


PLATE 3747—FULL SIZE

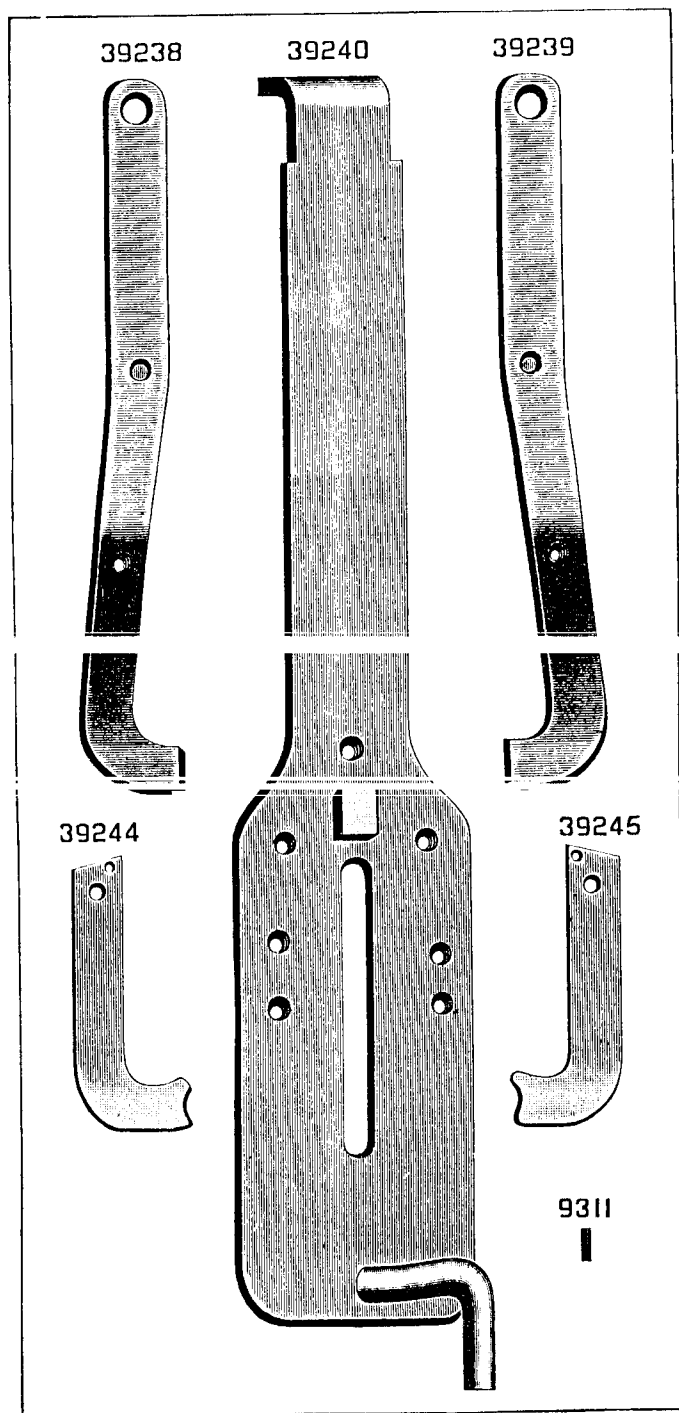
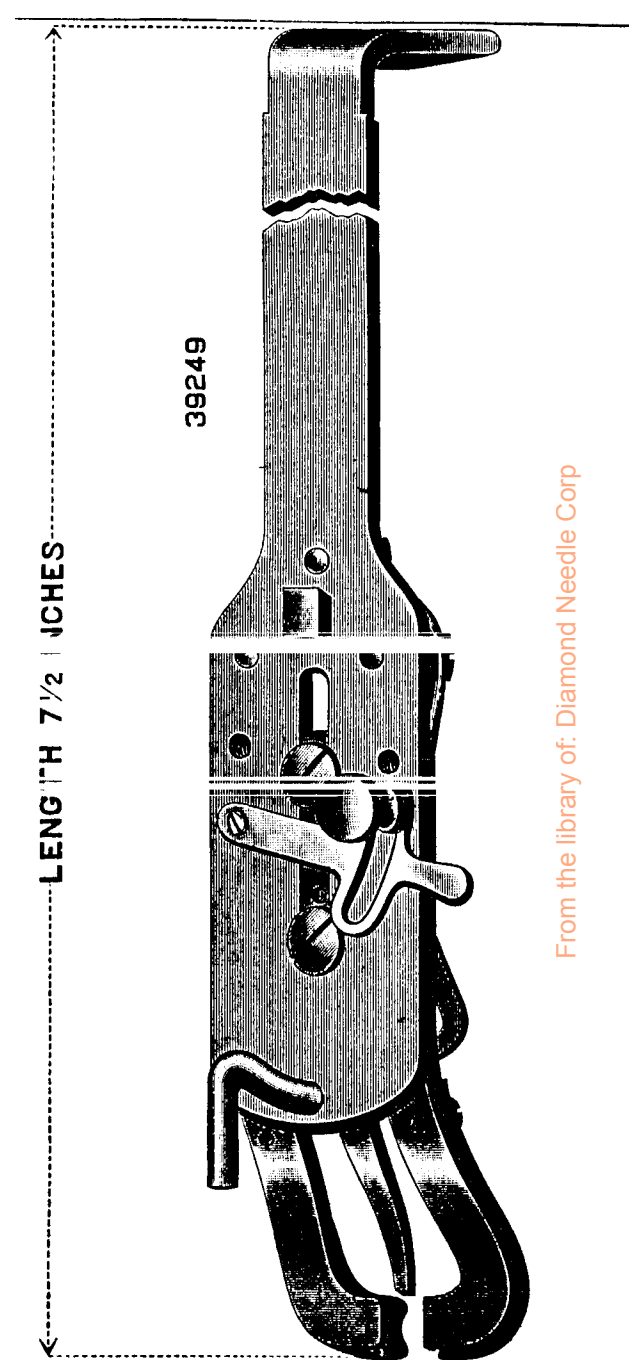


PLATE 3751—FULL SIZE



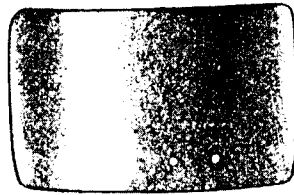
From the library of: Diamond Needle Corp

PLATE 6975—ONE-FOURTH SIZE

59702



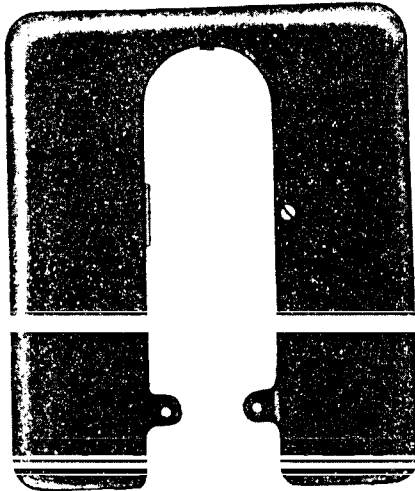
18498



62124



62105



62182

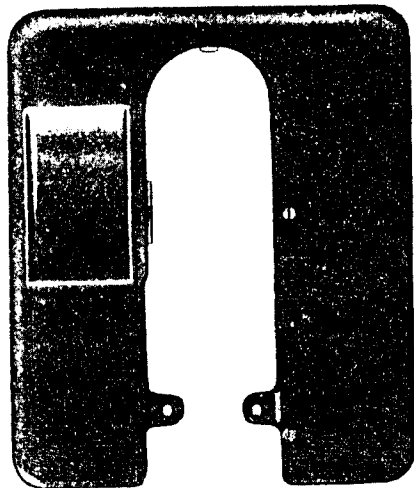
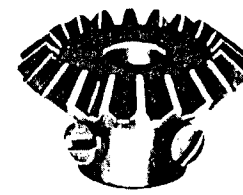


PLATE 6976—FULL SIZE

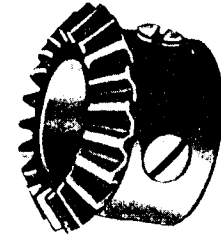
59704



59708



59703



59706



1036



39223



1253



4440



59705



1255



56015



59707



16532



21828



From the
May of
Need

PLATE 6977—ONE-HALF SIZE

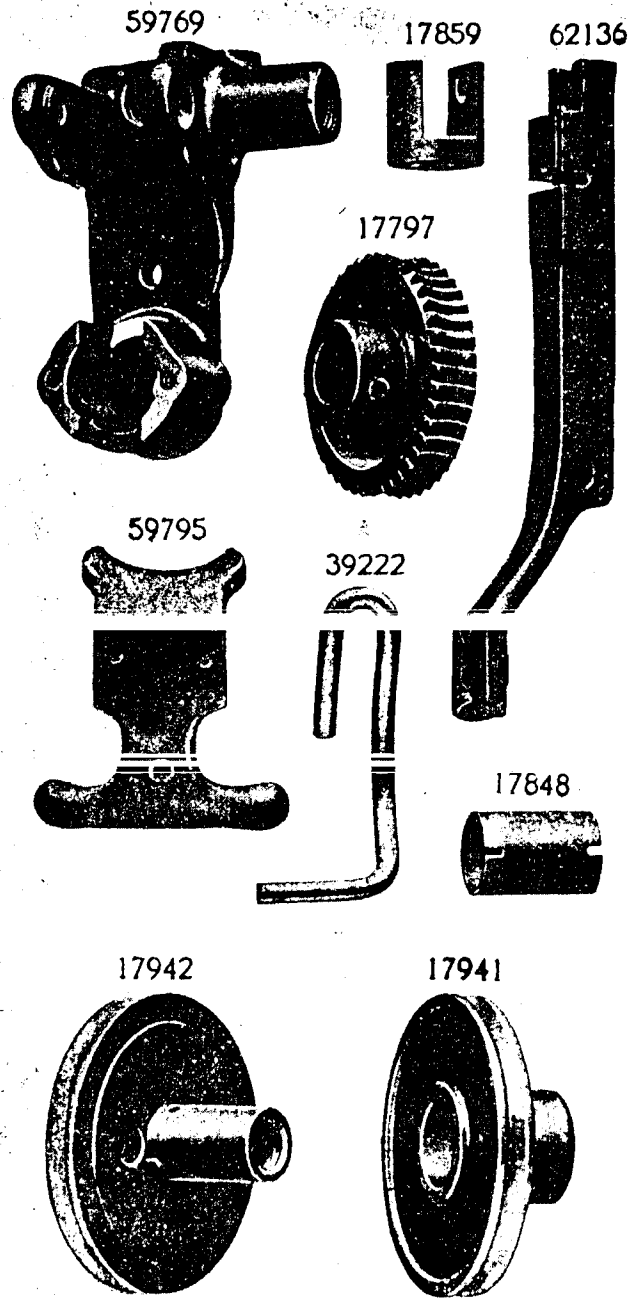
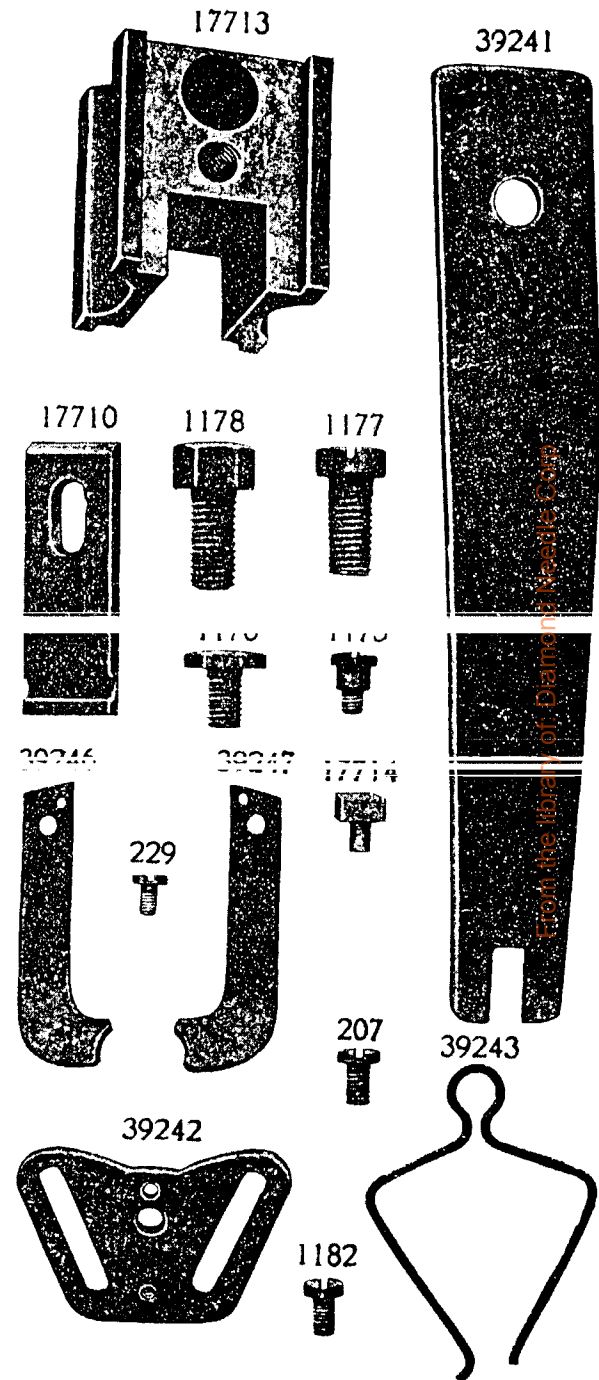


PLATE 6978—FULL SIZE



From the Library of Diament & Associates Corp.

PLATE 6979—FULL SIZE

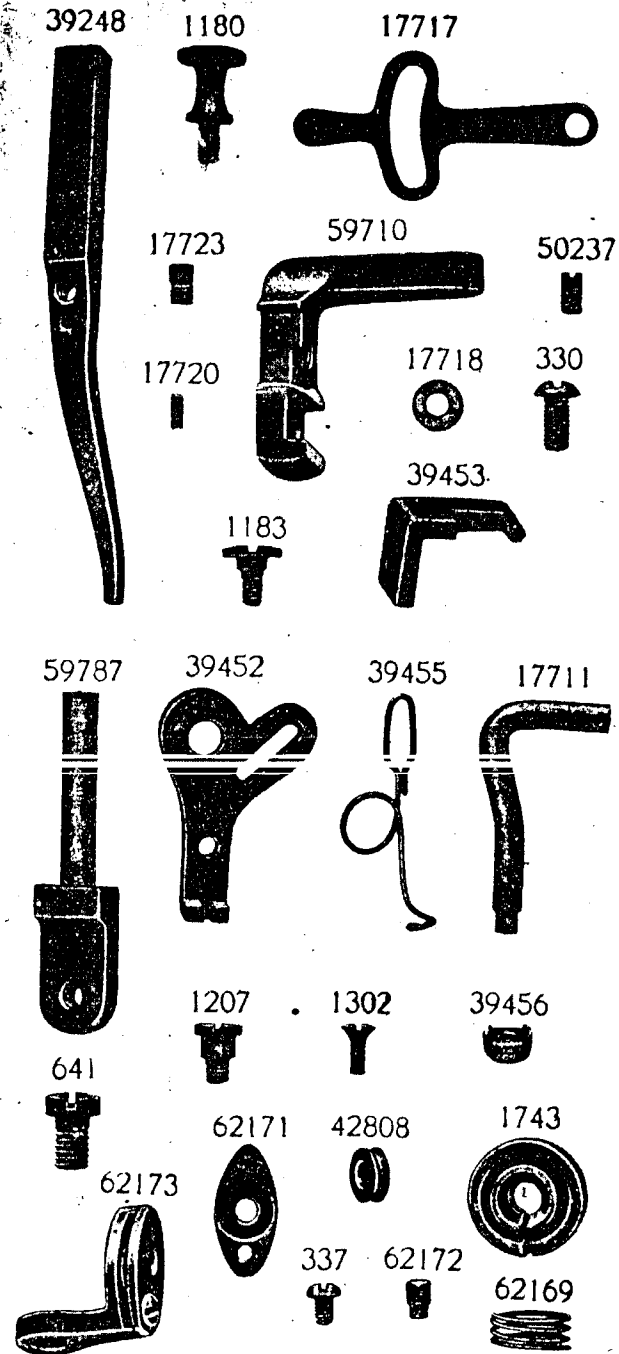


PLATE 6980—FULL SIZE

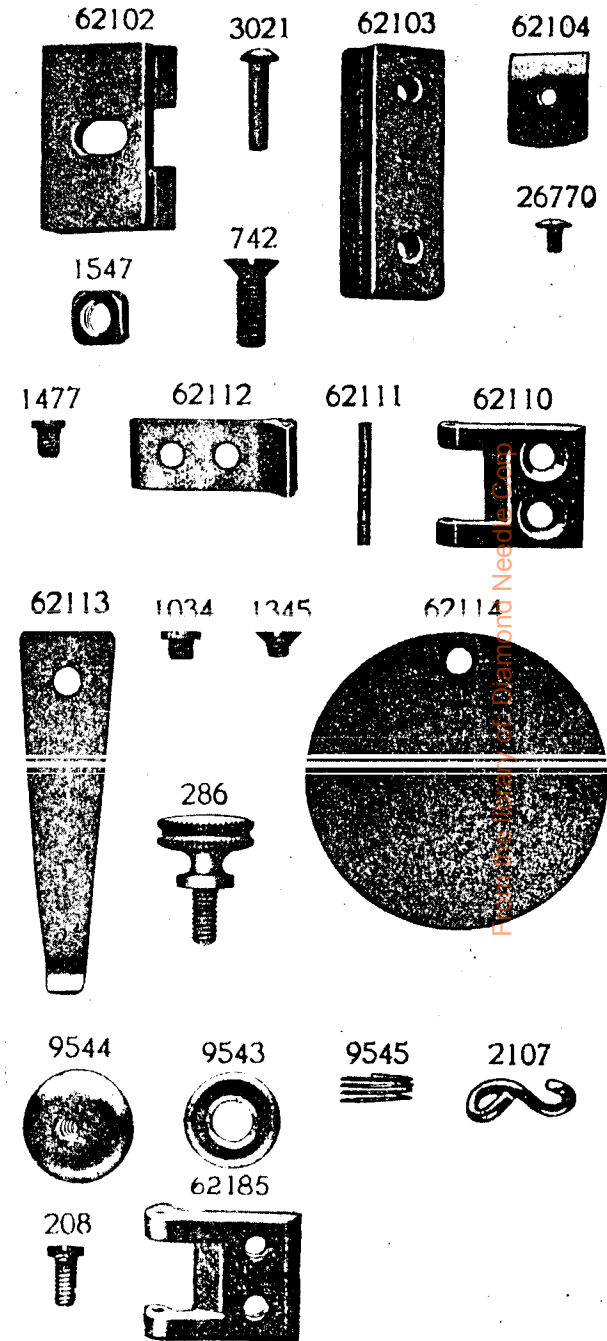


PLATE 6981—ONE-HALF SIZE

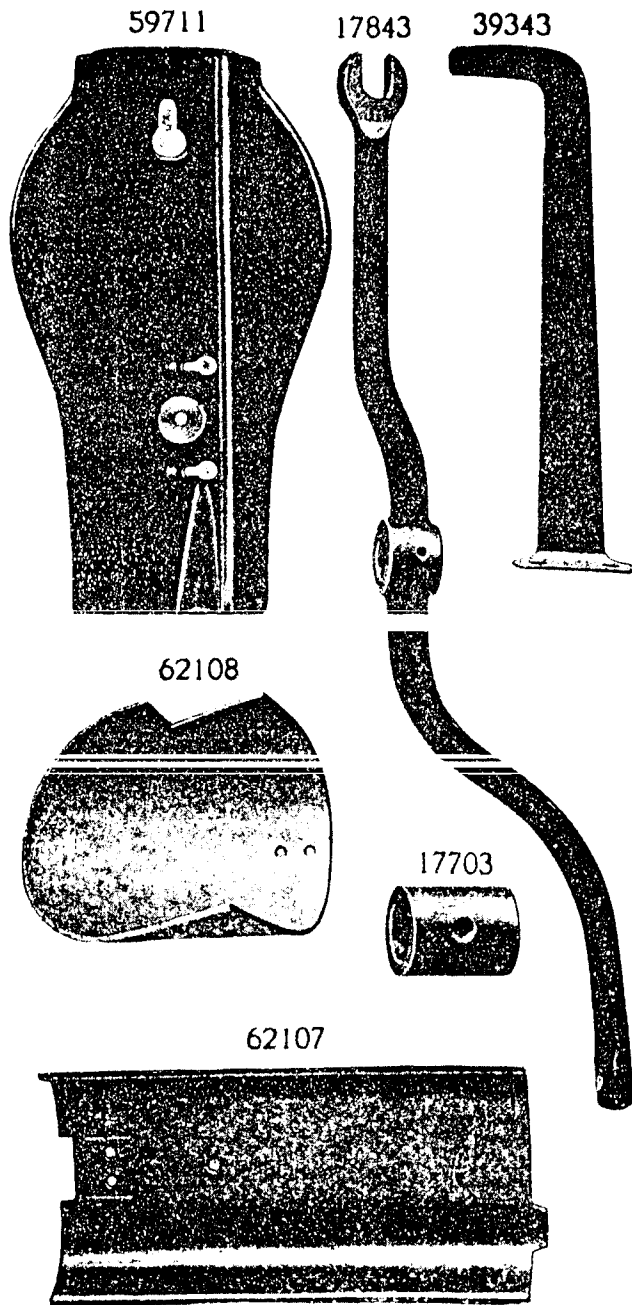
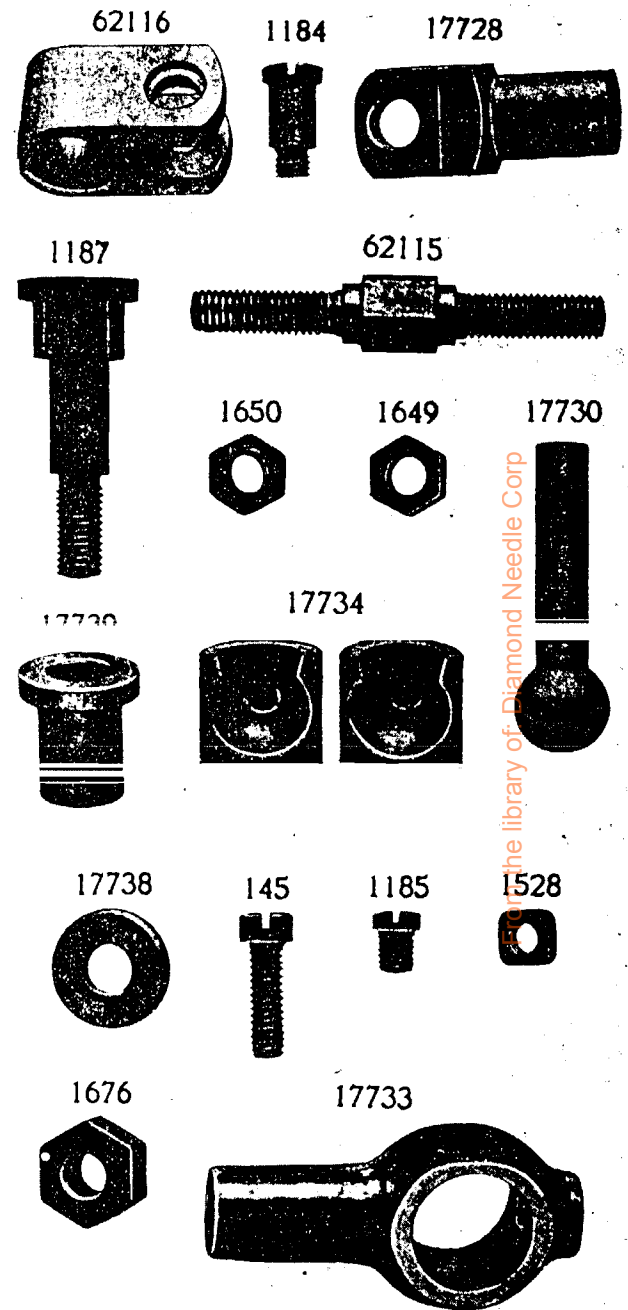


PLATE 6982—FULL SIZE



the library of Diamond Needle Corp

PLATE 6983—FULL SIZE

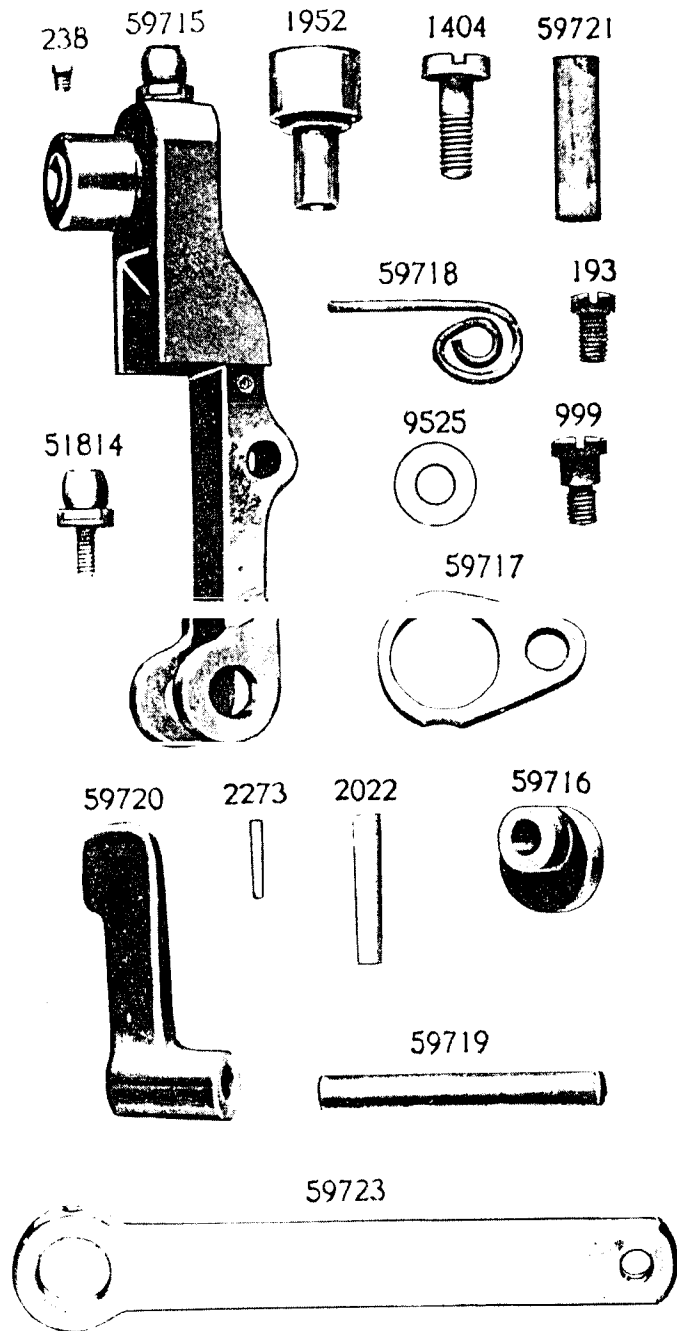


PLATE 6984—ONE-HALF SIZE

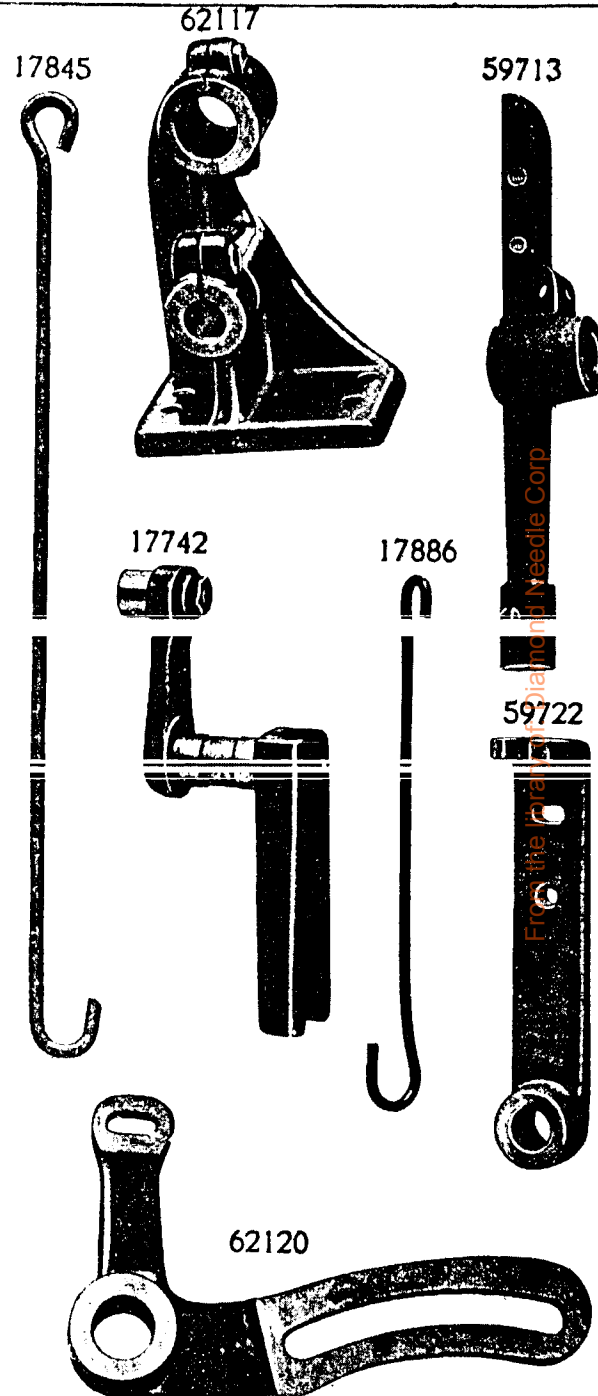
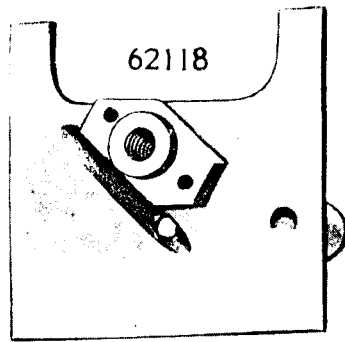


PLATE 6985—FULL SIZE



62118

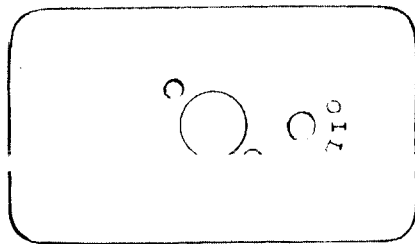
1094



55300



62119



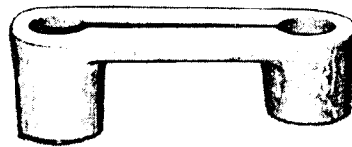
17741



50324



52121



14017

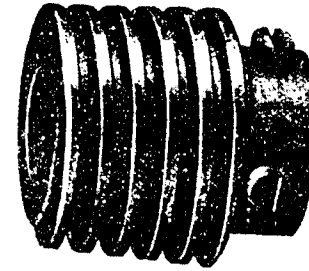


1655



PLATE 6987—FULL SIZE

18415



1442



1441



453



1192



59724



17743



1191



17744



17745



1190



59730



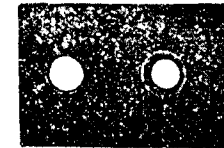
934



50306



18368



17874



62138



From the Design Department of Diamond-Netics Corp

PLATE 6988—FULL SIZE

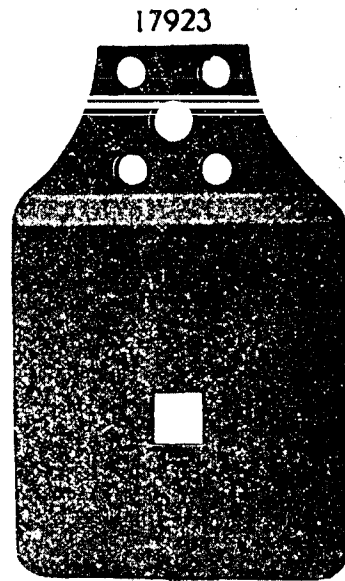
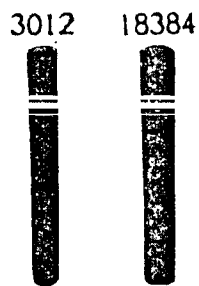
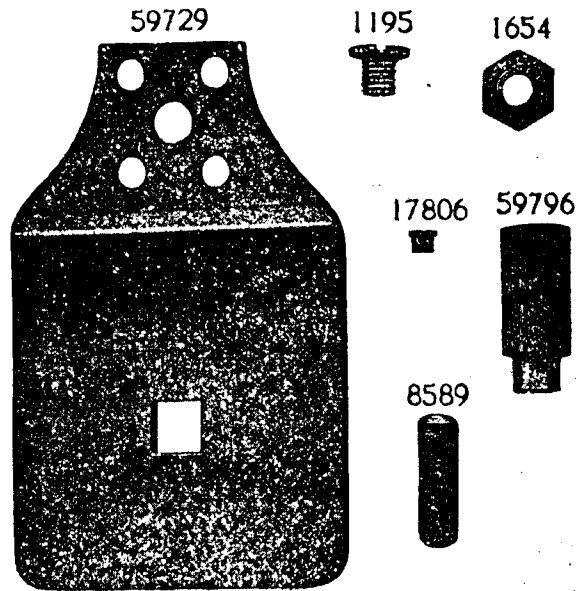


PLATE 6989—ONE-HALF SIZE

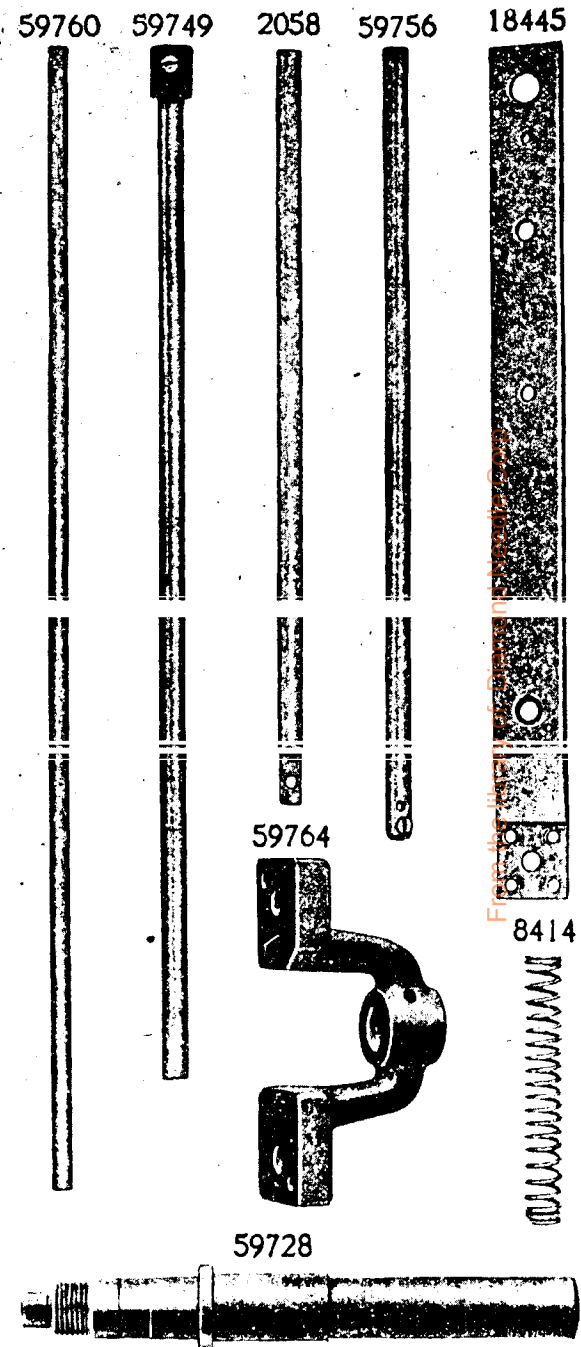


PLATE 6990—FULL SIZE

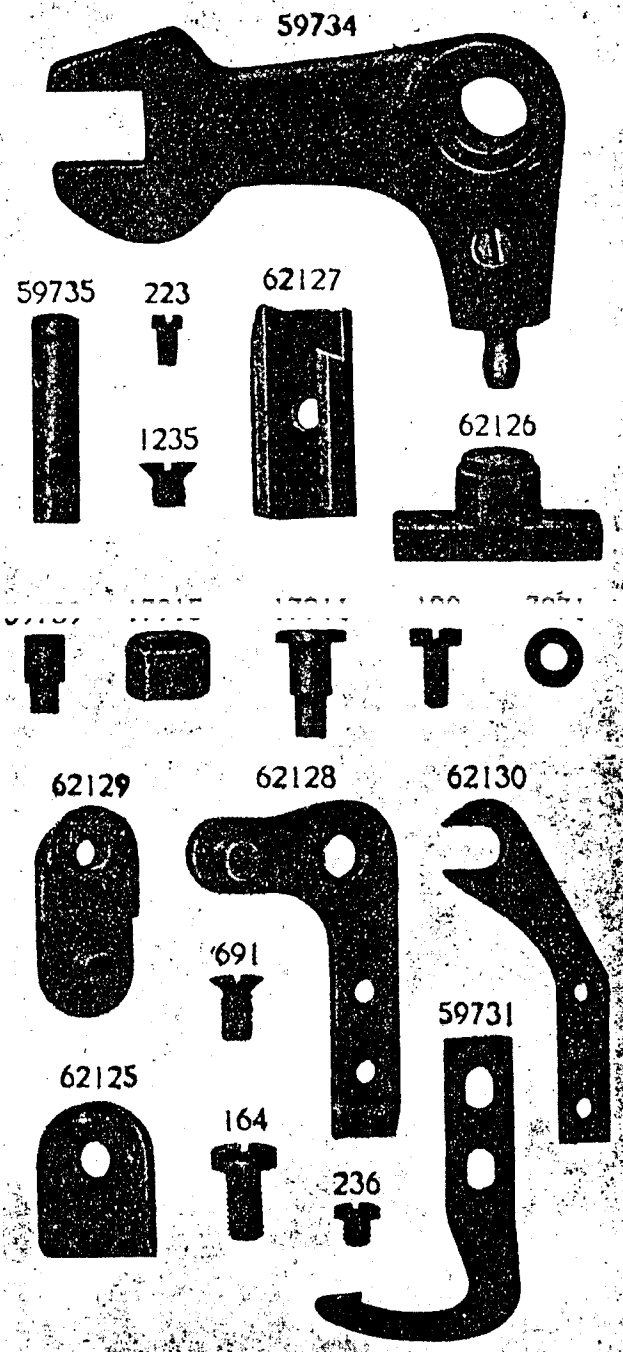
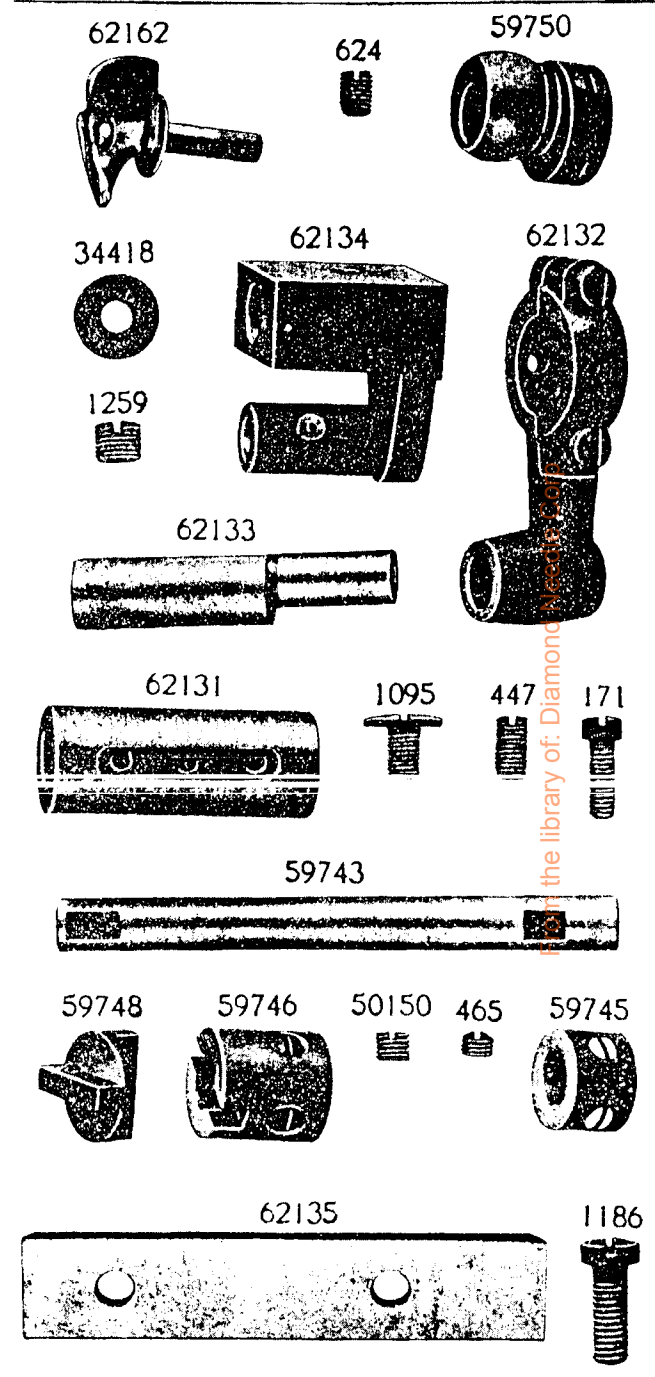


PLATE 6991—FULL SIZE



from the library of: Diamond Research Corp.

PLATE 6992—FULL SIZE

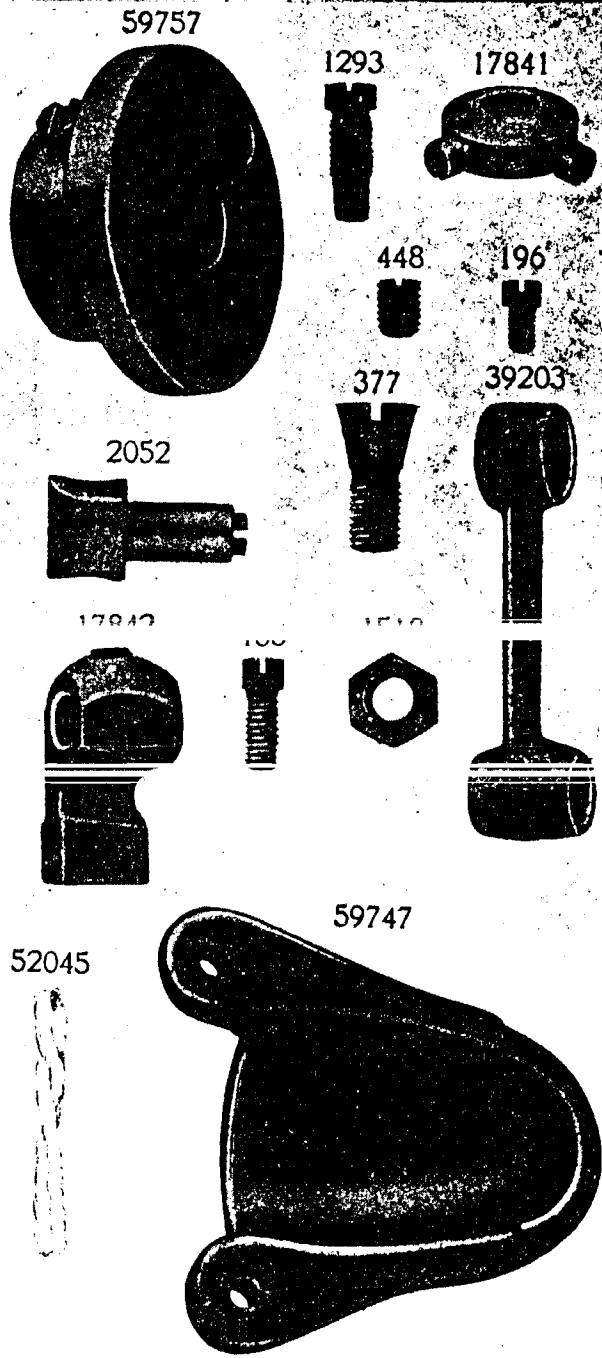
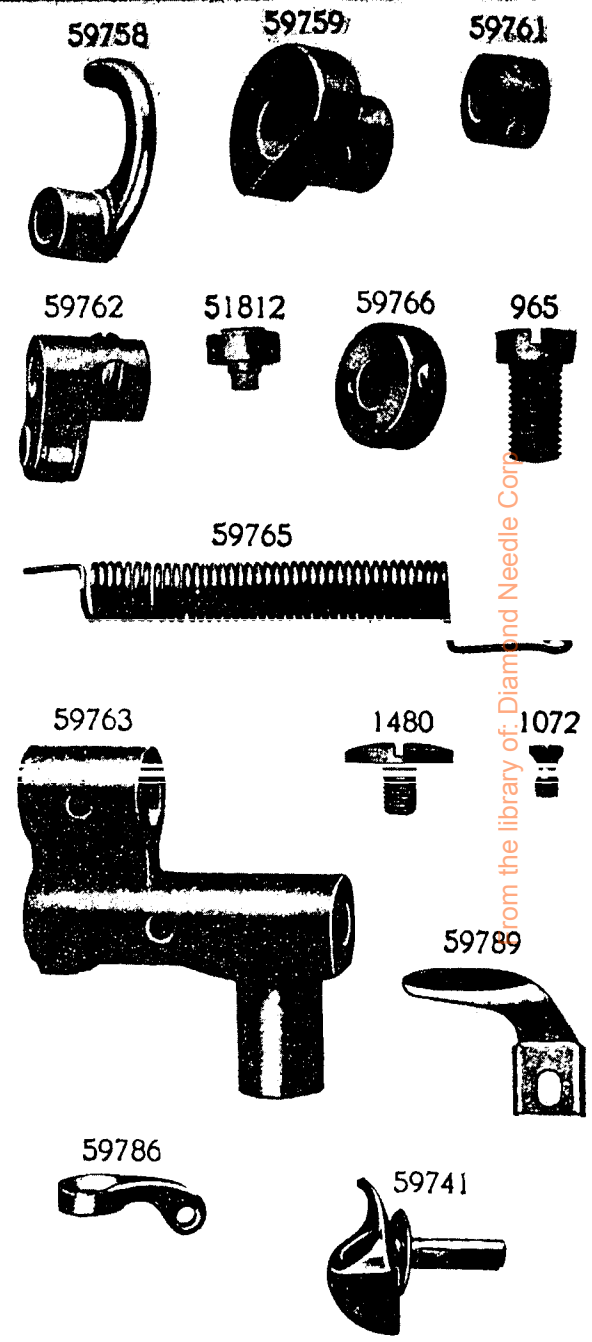


PLATE 6993—FULL SIZE



from the library of: Diamond Needle Corp.

PLATE 6994—FULL SIZE

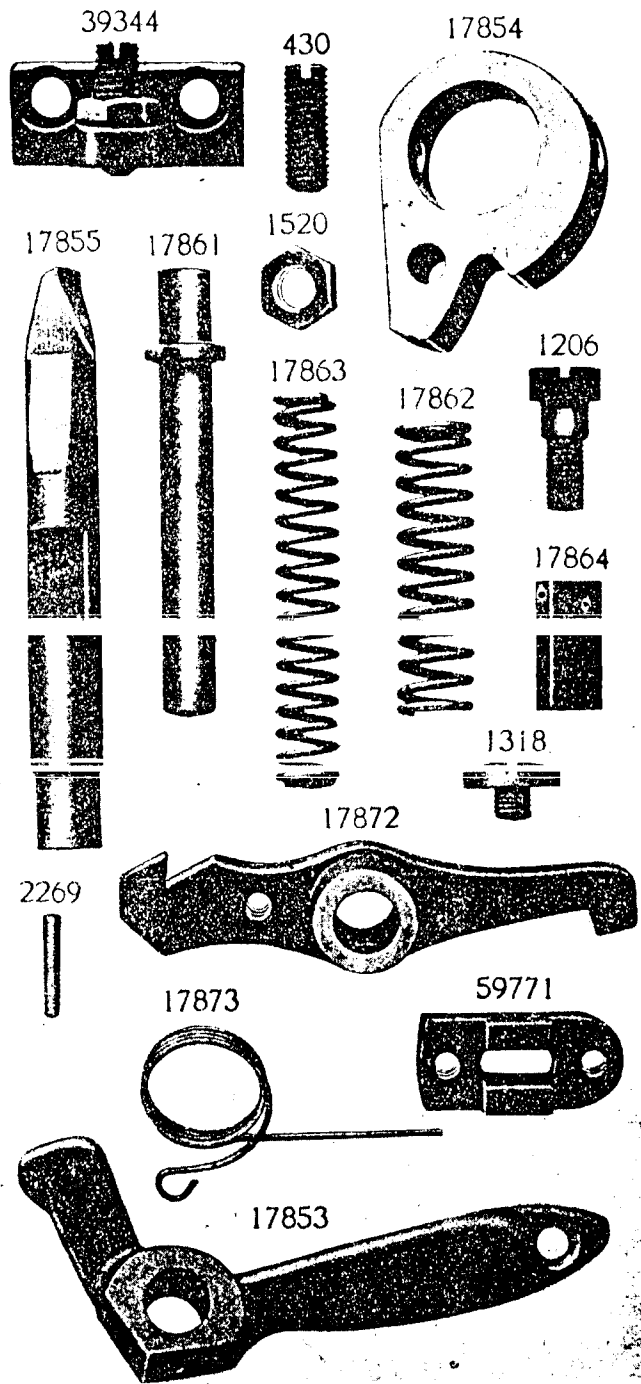


PLATE 6995—FULL SIZE

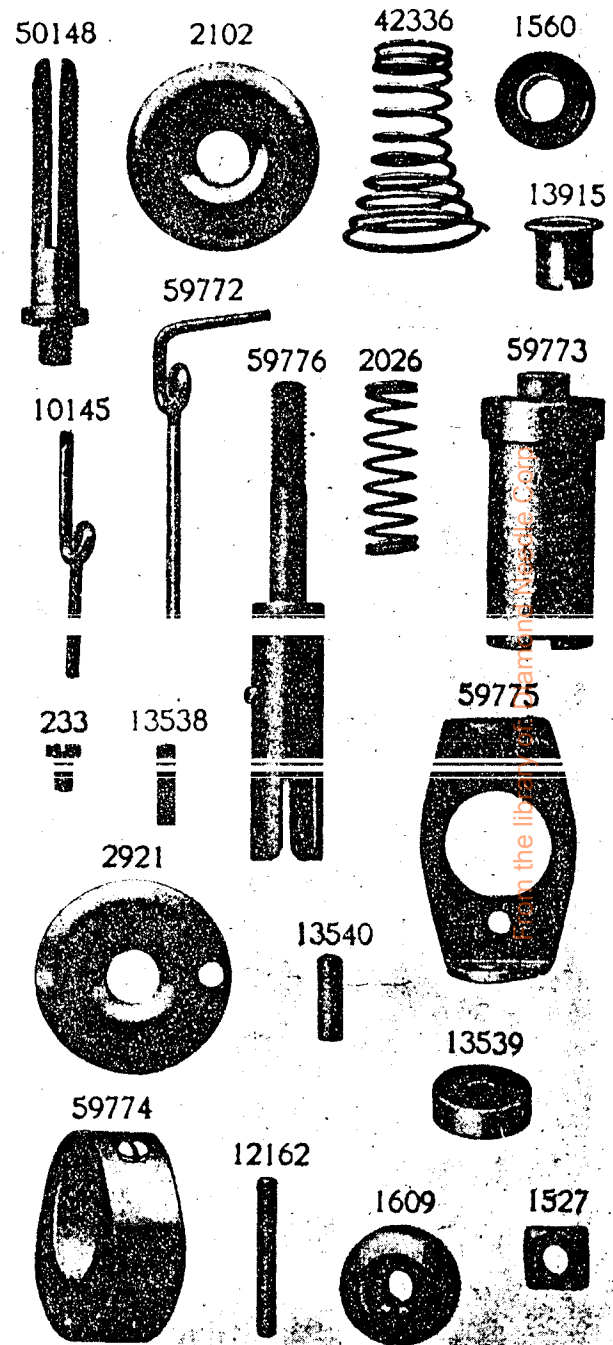


PLATE 6996—FULL SIZE

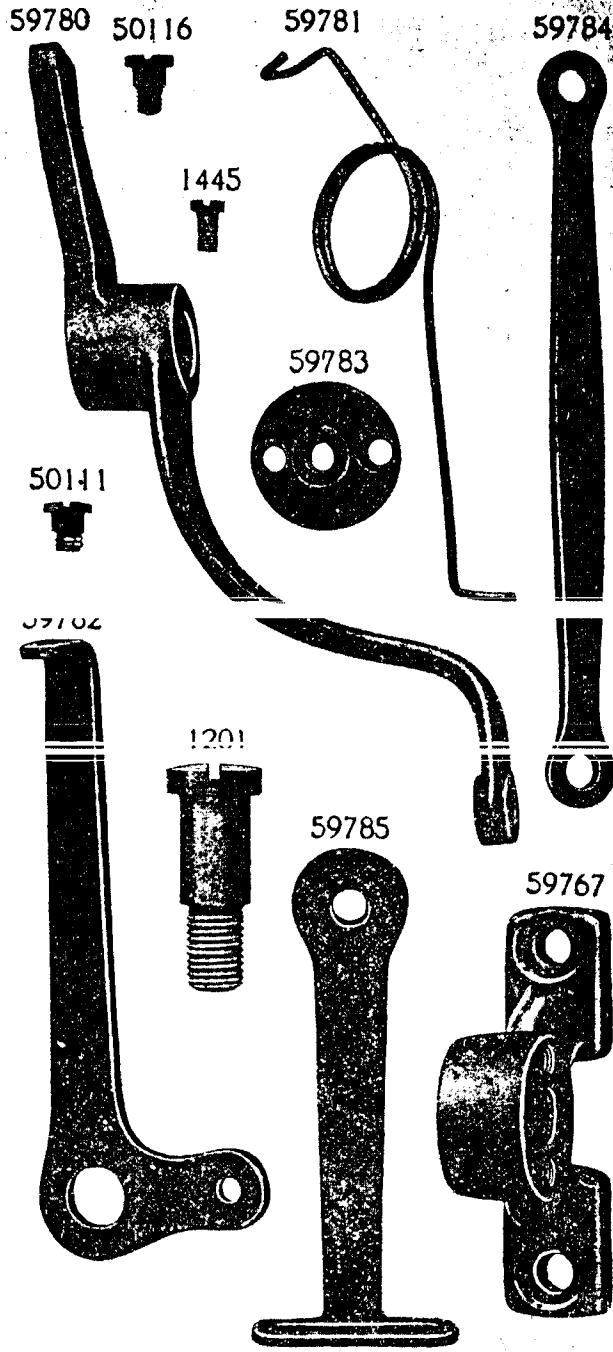
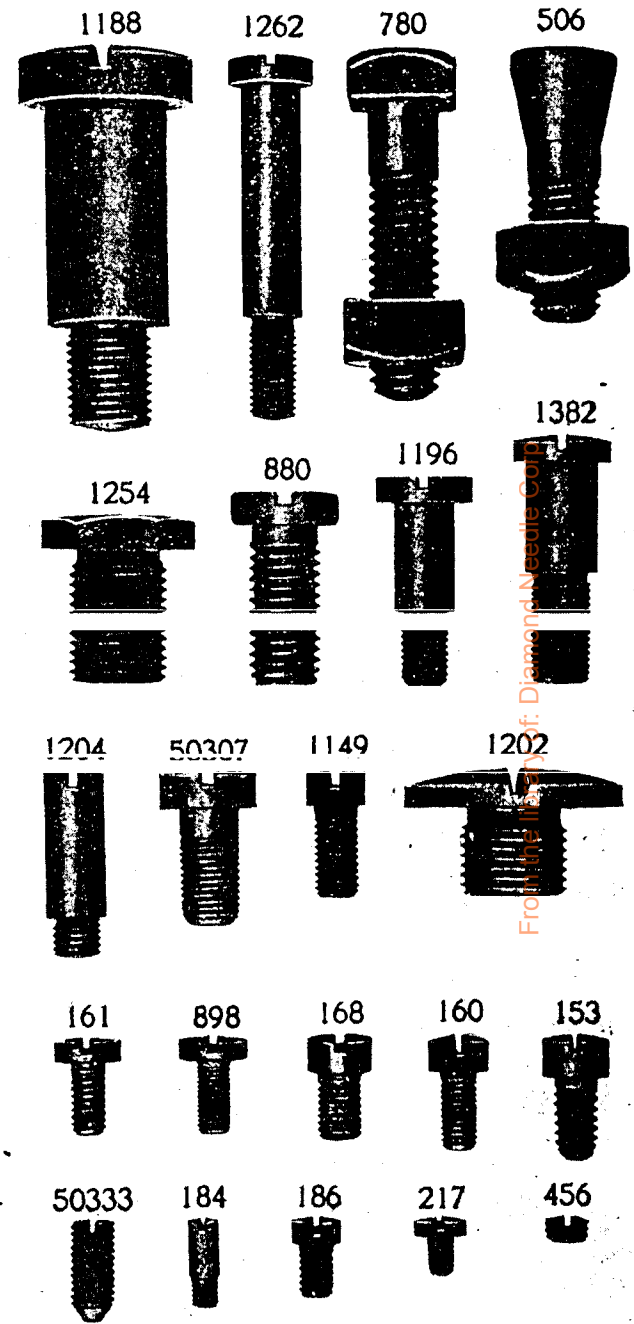


PLATE 6998—FULL SIZE



From the Library of: Diamond Needles Corp.

PLATE 6999—FULL SIZE

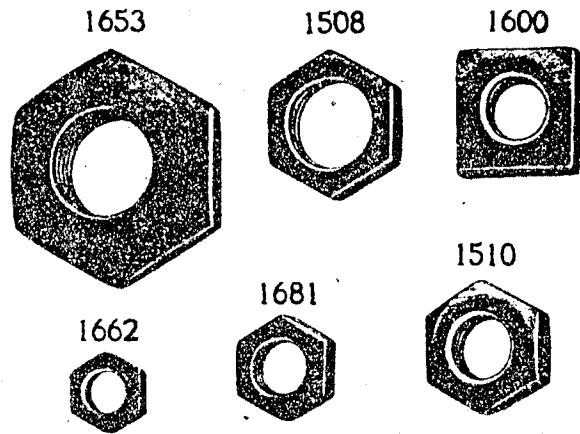


PLATE 7005—ONE-FOURTH SIZE

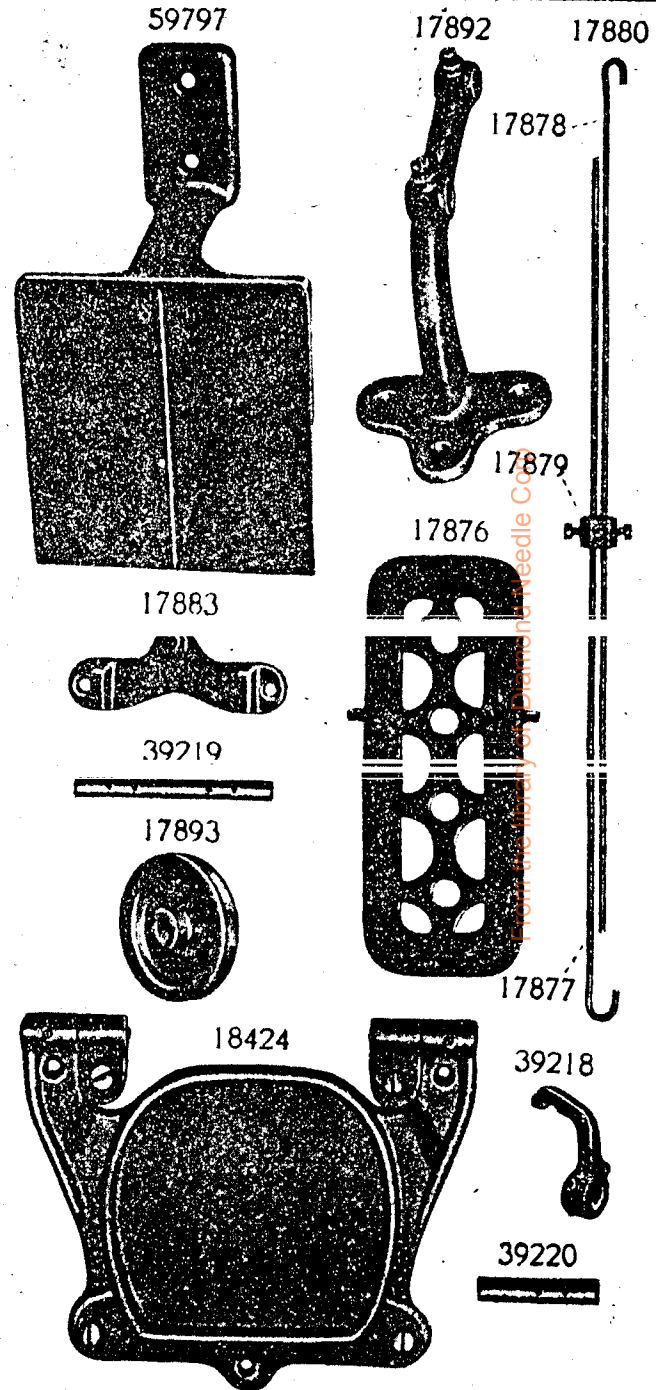


PLATE 7006—FULL SIZE

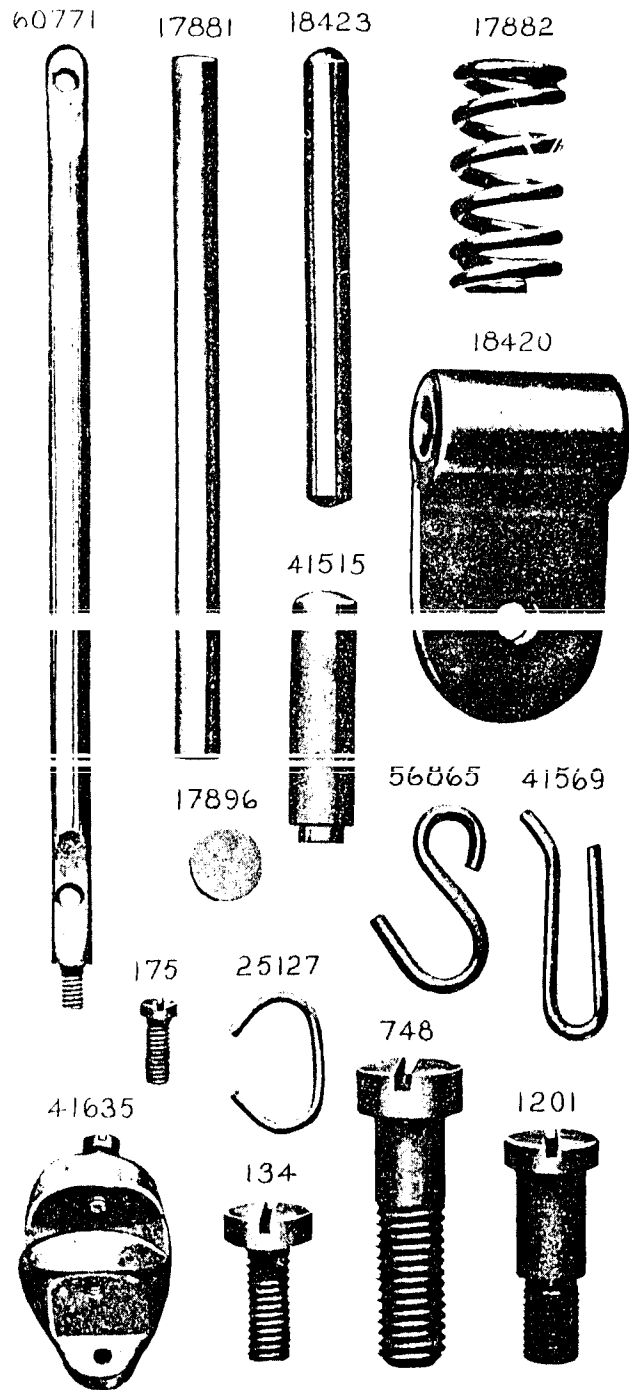


PLATE 7007—ONE-HALF SIZE

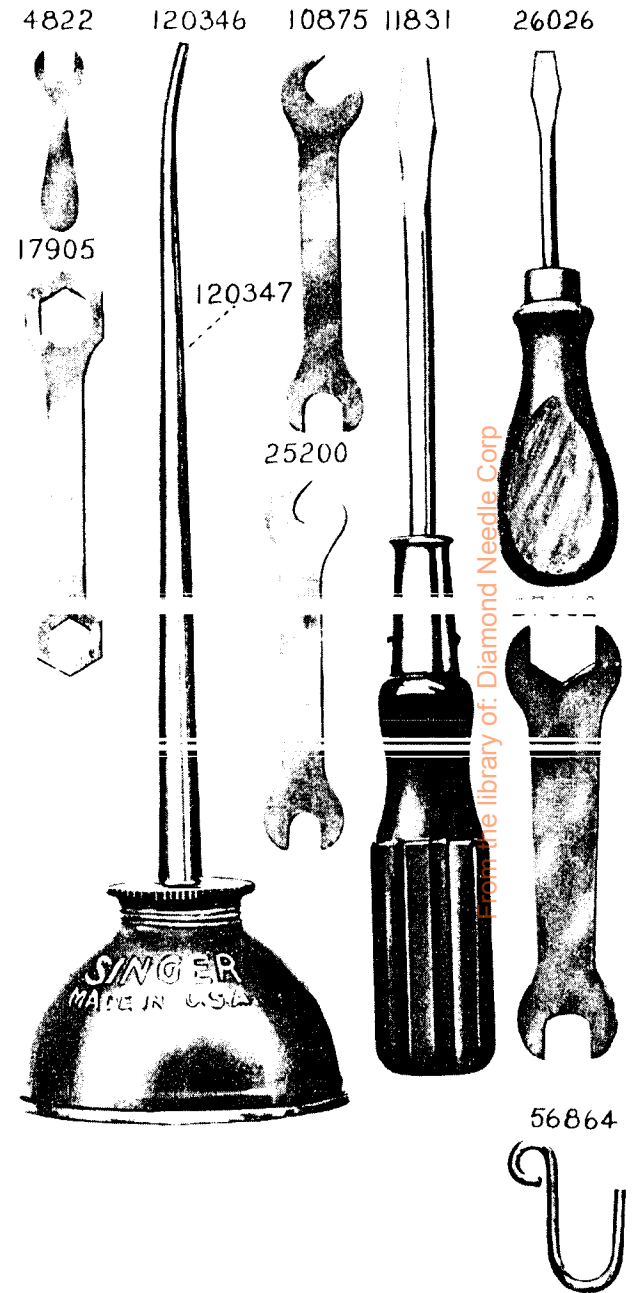


PLATE 7008--ONE-HALF SIZE

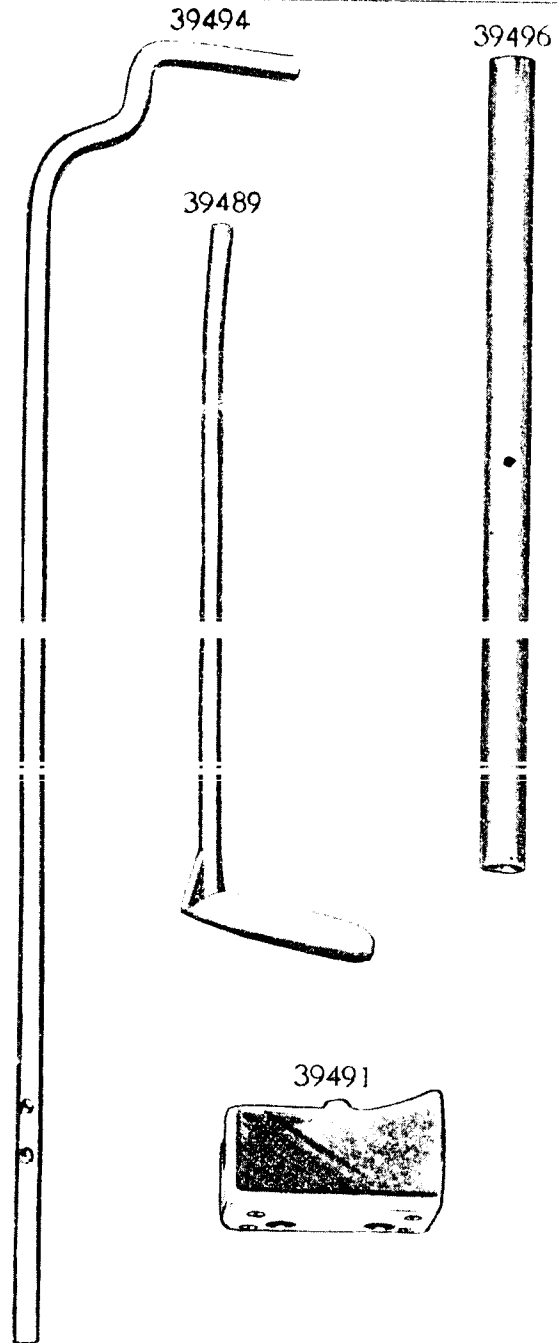


PLATE 7009--FULL SIZE

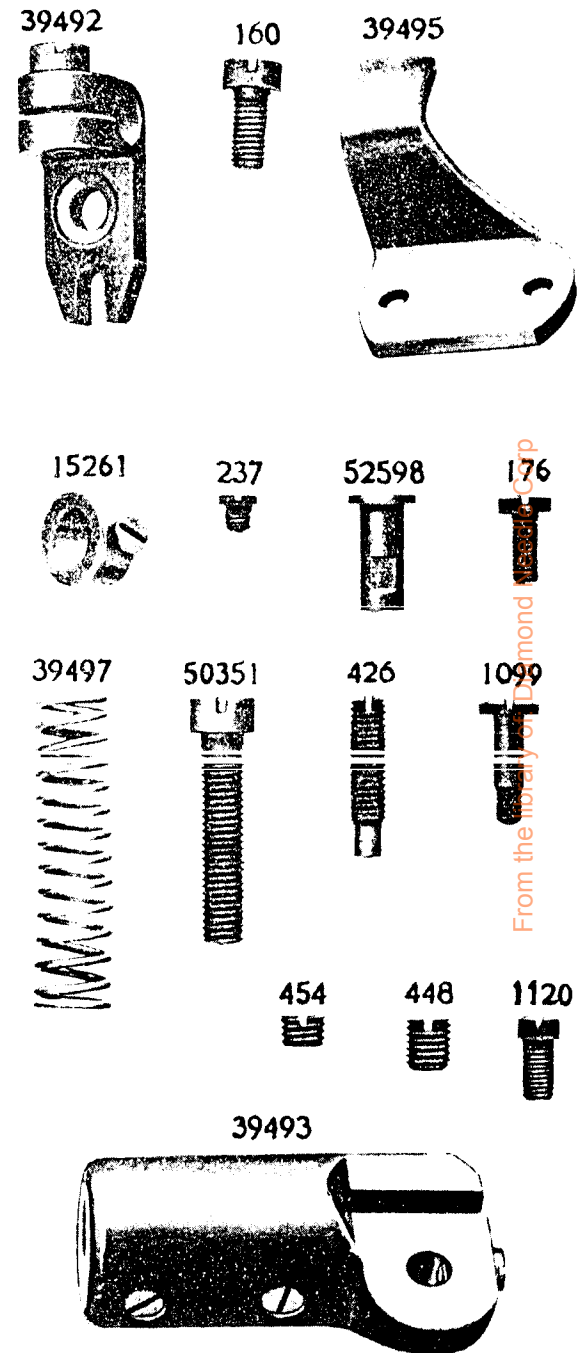


PLATE 7013—ONE-HALF SIZE

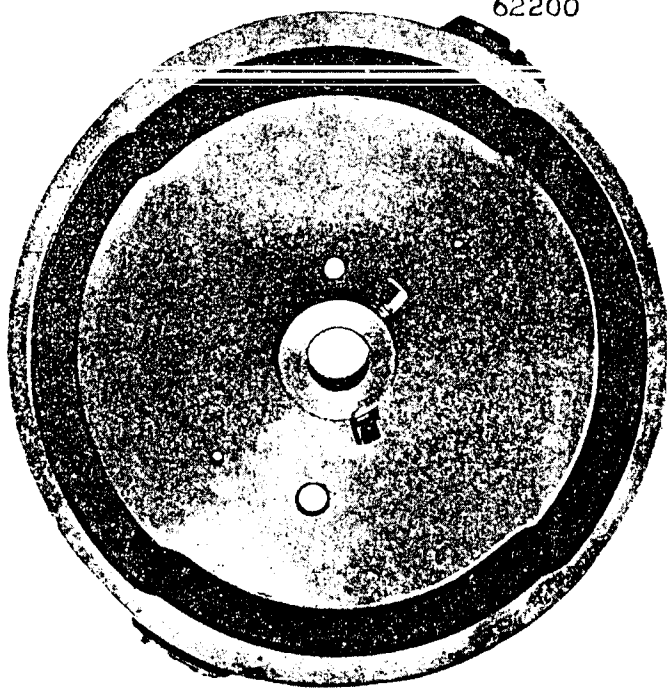
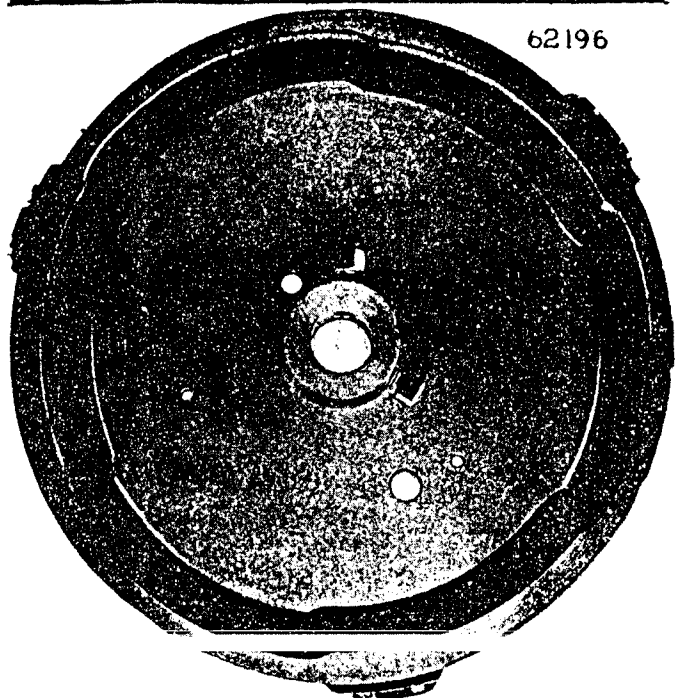
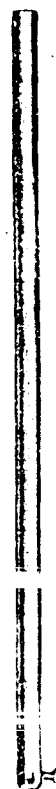


PLATE 7014—ONE-HALF SIZE

62198

62183



62195

120117



From the library of: Diamond Needle Corp

PLATE 7015—FULL SIZE

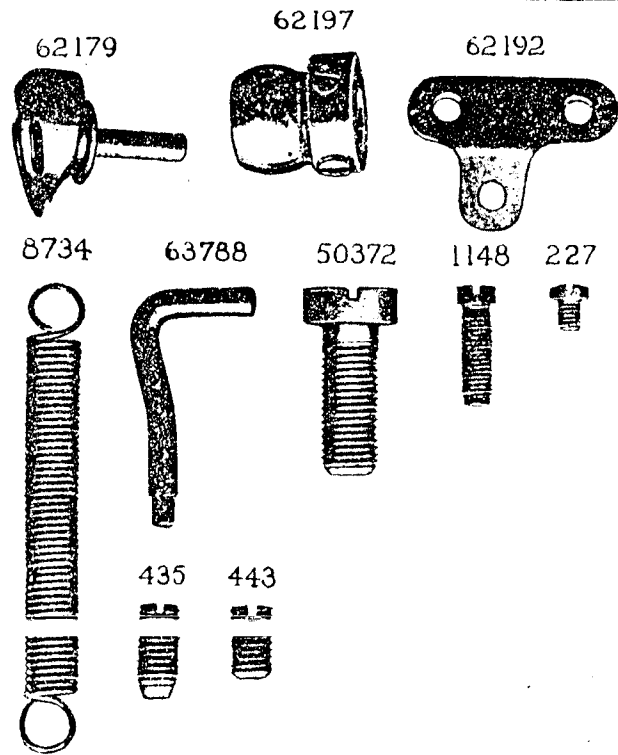


PLATE 7016—FULL SIZE

